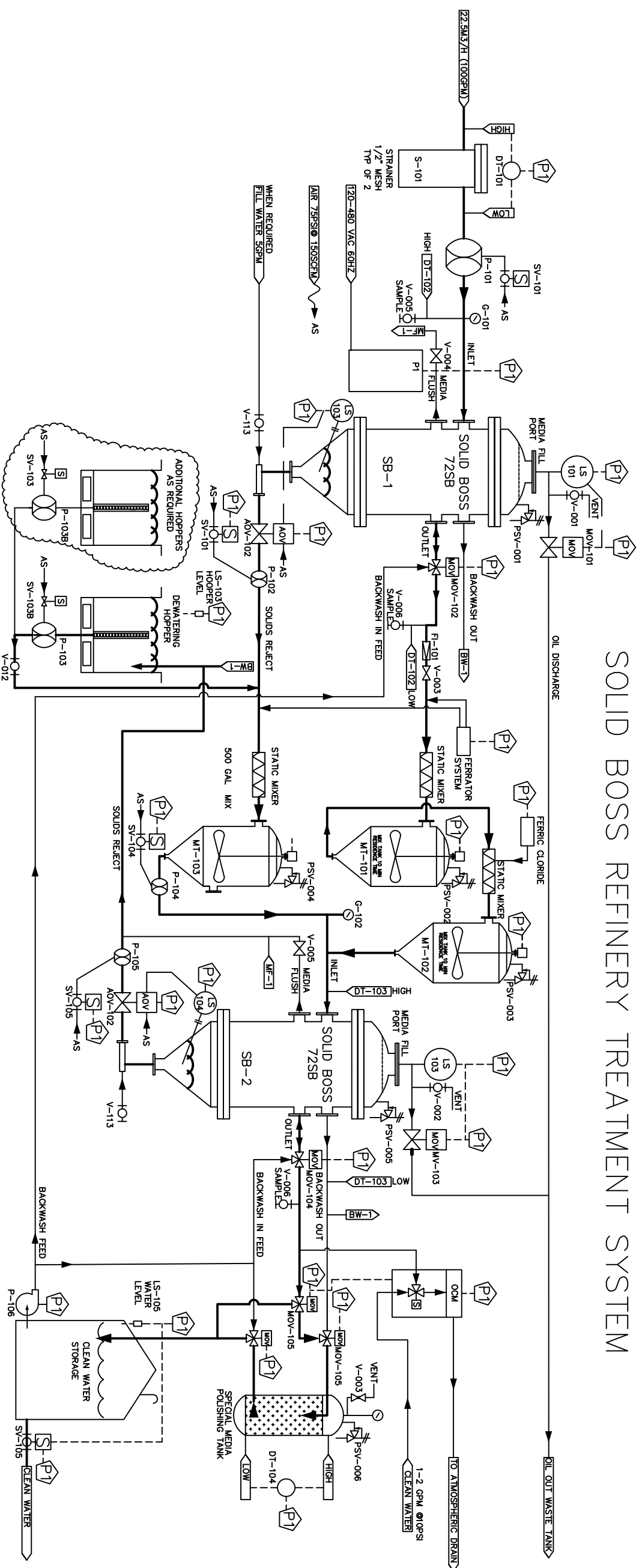
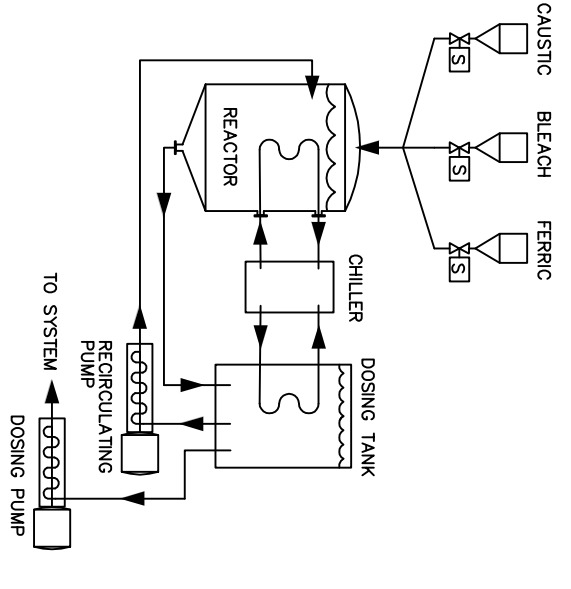


SOLID BOSS REFINERY TREATMENT SYSTEM



FERRATE SYSTEM



NOTES:

ISOLATION VALVES AND MISC CHECK VALVES ARE NOT DEPICTED IN THIS RENDITION BUT WILL BE INCLUDED AS REQUIRED IN THE FINAL DESIGN

LEGEND

- V-BALL VALVE
- G-GATE VALVE
- F-FLOW RESTRICTOR
- F-FILTER/STRAINER
- S-SOLENOID OPERATED VALVE
- ASR-AIR OPEN SPRING RETURN VALVE
- MOV-MOTOR OPERATED VALVE
- F-FLOW INDICATOR
- Z-CHECK VALVE
- PPSV-PRESSURE SAFETY VALVE
- V-BALL VALVE
- SV-SOLENOID VALVE
- AOV-AIR OPERATED VALVE
- MOV-MOTOR OPERATED VALVE
- CV-CHECK VALVE
- PSV-PRESSURE SAFETY VALVE
- S-SEPARATOR
- MT-MIX TANK
- P-PUMP
- DT-DIFFERENTIAL PRESSURE TRANSMITTER
- LS-LEVEL SWITCH
- OCM-OIL MONITOR
- F-FILTER/STRAINER
- AS-AIR SUPPLY
- FC-FAIL CLOSED
- BW-BACK WASH

This document is confidential and contains trade secrets of Recovered Energy Inc. (REI). It is NOT to be copied in whole or in part or distributed without express written permission from REI. All documentation in any form, including electronic, is the property of REI. Only authorized persons with a duly executed security agreement directly with REI are permitted to have in their possession such information and the information contained herein. If this statement is NOT printed in RED text, you may be in possession of an unauthorized copy and could be subject to civil and criminal penalties.



Recovered Energy Inc.
 11455 N. Rio Vista Rd Picoletto, Idaho 83202
 Phone No. (208) 637-0645 Fax No. (708) 668-7939

SOLID BOSS REFINERY TREATMENT SYSTEM
 W/FERRATE AND DEWATERING
 CLASS1, DIV2, AREA CLASSIFICATION
 22.5M3/H (1000GPM)
 PFD

CUSTOMER:	TBD
DESIGNED BY:	TB
CHECKED BY:	DCD
SCALE:	NONE
DATE:	AUG2015
SHEET NO.:	111TRLEVO01RM.1
PROPOSAL:	
P.O. NO.:	
DATE:	
SHEET NO.:	
REV:	1 OF 2
REV:	MI.1