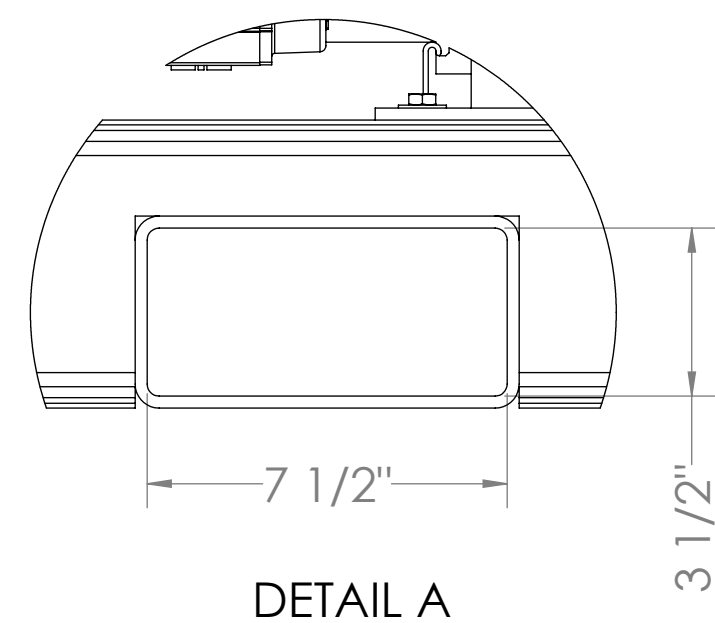
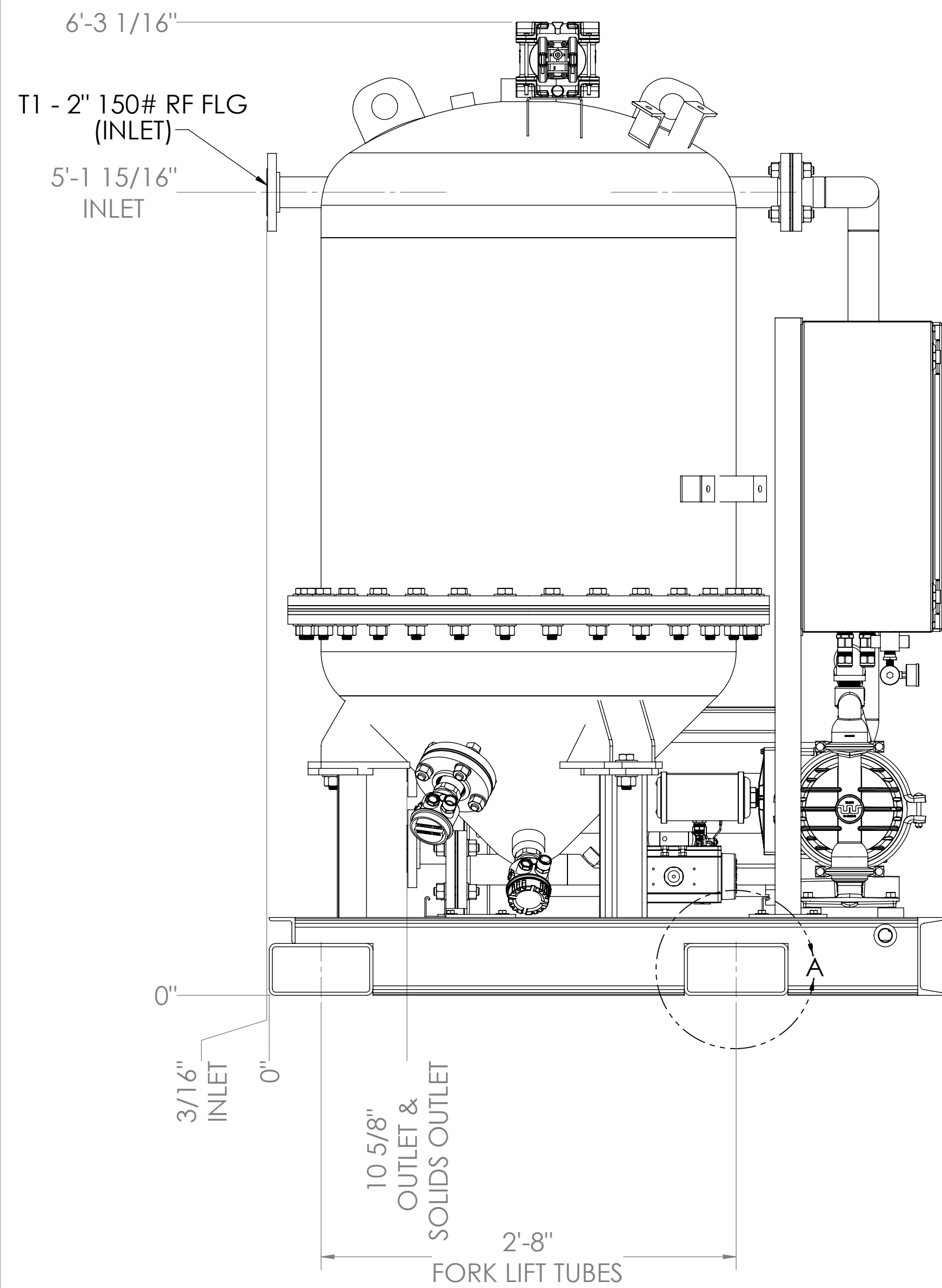
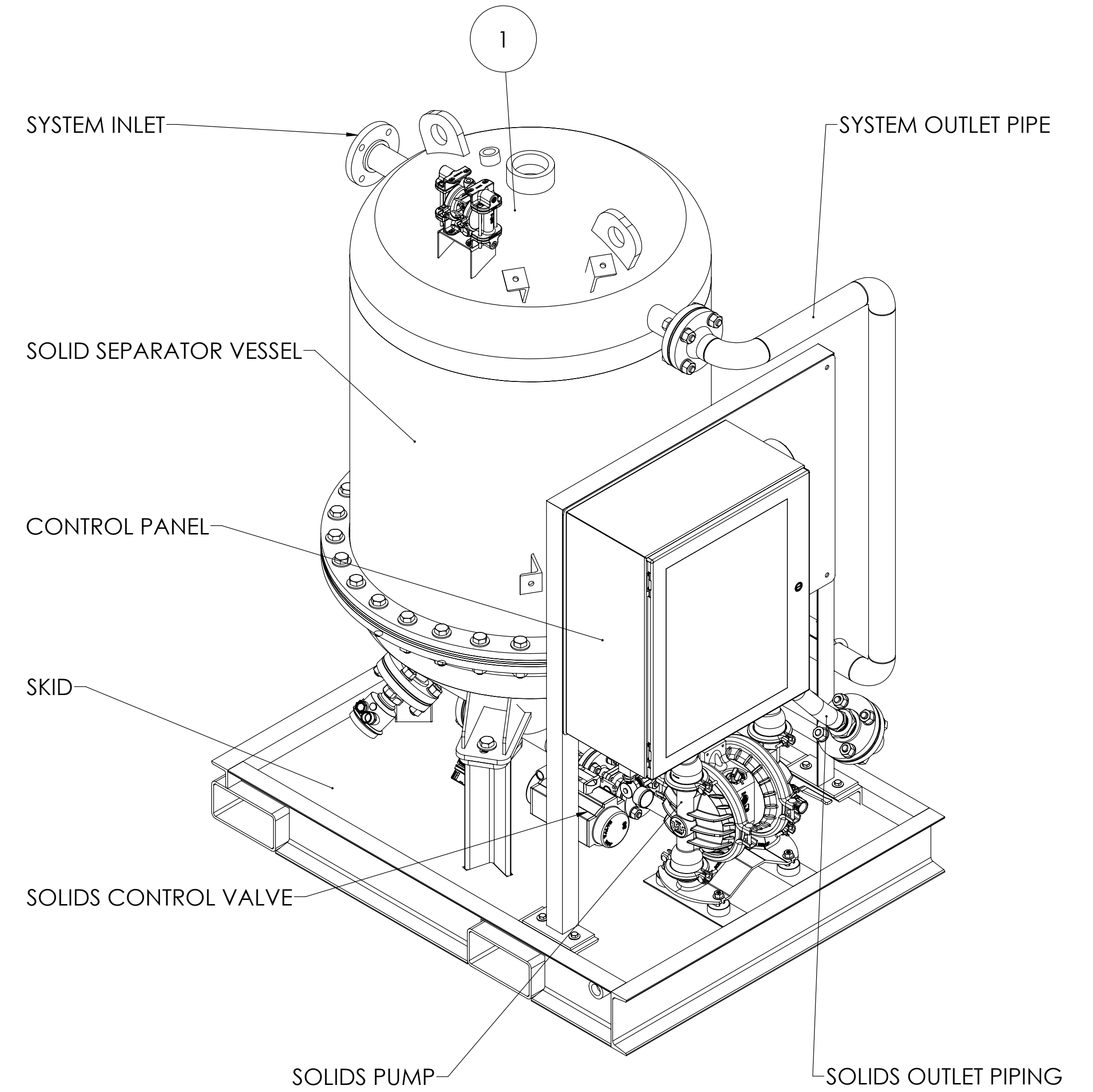
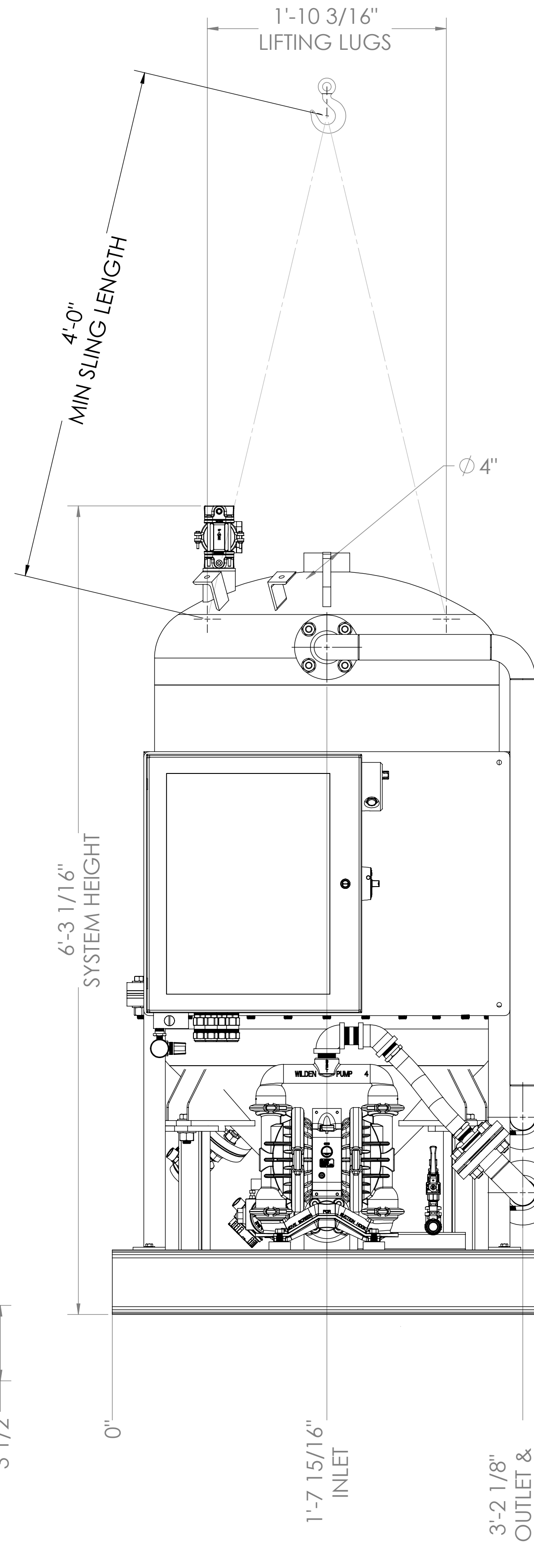
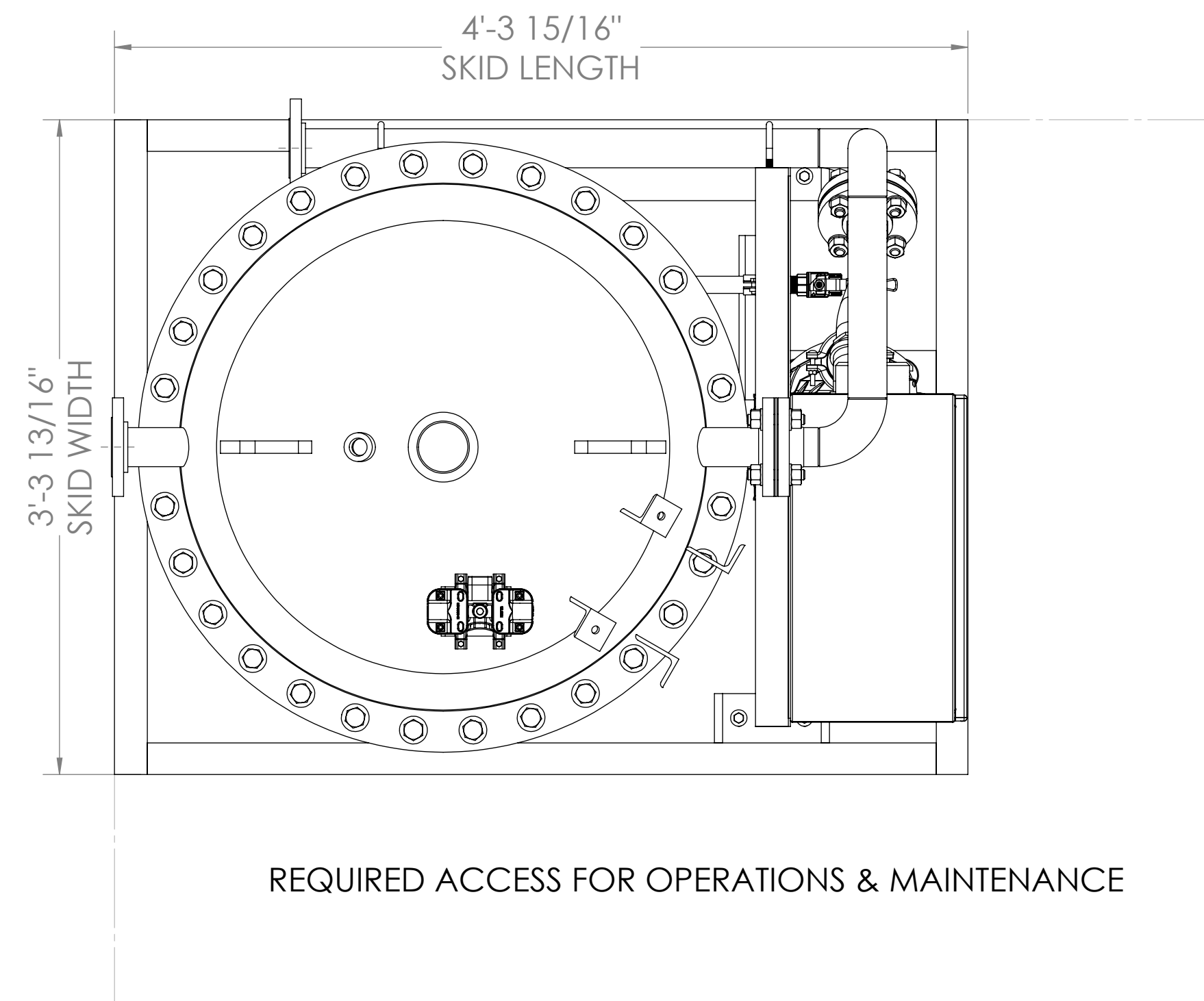


# PRELIMINARY

ITEM NO.	PART NO.	NAME	DESCRIPTION	MATERIAL	WEIGHT	QTY.
1	A50635	SOLID BOSS	25S STANDARD	VARIOUS	2147	1

NOTE: SYSTEM DESIGN

- 25 GPM NOMINAL
- 75 GPM HIGH FLOW
- 75 PSI MAX PRESSURE
- NEMA 4X ENCLOSURE
- CLASS I DIV II PURGED PANEL
- PLC CONTROLS
- PNEUMATIC CONTROL VALVES AND PUMP
- CARBON STEEL CONSTRUCTION



T2 - 2" 150# RF FLG (OUTLET)

T3 - 2" 150# RF FLG (SOLIDS OUTLET)

ZONE	REV.	BY	P.M.	GA	PRO	ENG	OTHER	DATE	REVISION
A-01								4/8/2015	
A-02								4/8/2015	

UNLESS OTHERWISE SPECIFIED		APPROVALS		DATE
DIMENSIONS ARE IN INCHES		P.M.		-
TOLERANCES		Q.A.		-
DECIMALS	FRACTIONS	PROD.		-
.X .XX .XXX	2" < THK. > 2" THK.	ENG.		-
0-6"	±.1 ±.05 ±.010 ±1/8" ±3/16"	OTHER		-
>6"-24"	±.1 ±.05 ±.010 ±3/16" ±1/4"	DRAWN BY:		Kurt Scott
>24"-60"	±.1 ±.05 ±.016 ±1/4" ±3/8"	CHECKED BY:		
>60"	±.1 ±.05 ±.031 ±3/8" ±1/2"	THIRD ANGLE PROJECTION		

<b>Recovered Energy Inc.</b> 11455 N. Rio Vista Rd. Pocatello, Idaho 83202 Phone No. (208) 637-0643 Fax. No. (708) 668-7939	
BOSS 25T-107 SOLID BOSS 25 GPM NOM. 75 GPM MAX FABRICATION DRAWING	
P.O. #:	-
SIZE UNITS	D IM
DRAWING NUMBER	A51135
REV	A-02
SHEET SCALE:	1:8
SHEET 1 OF 1	