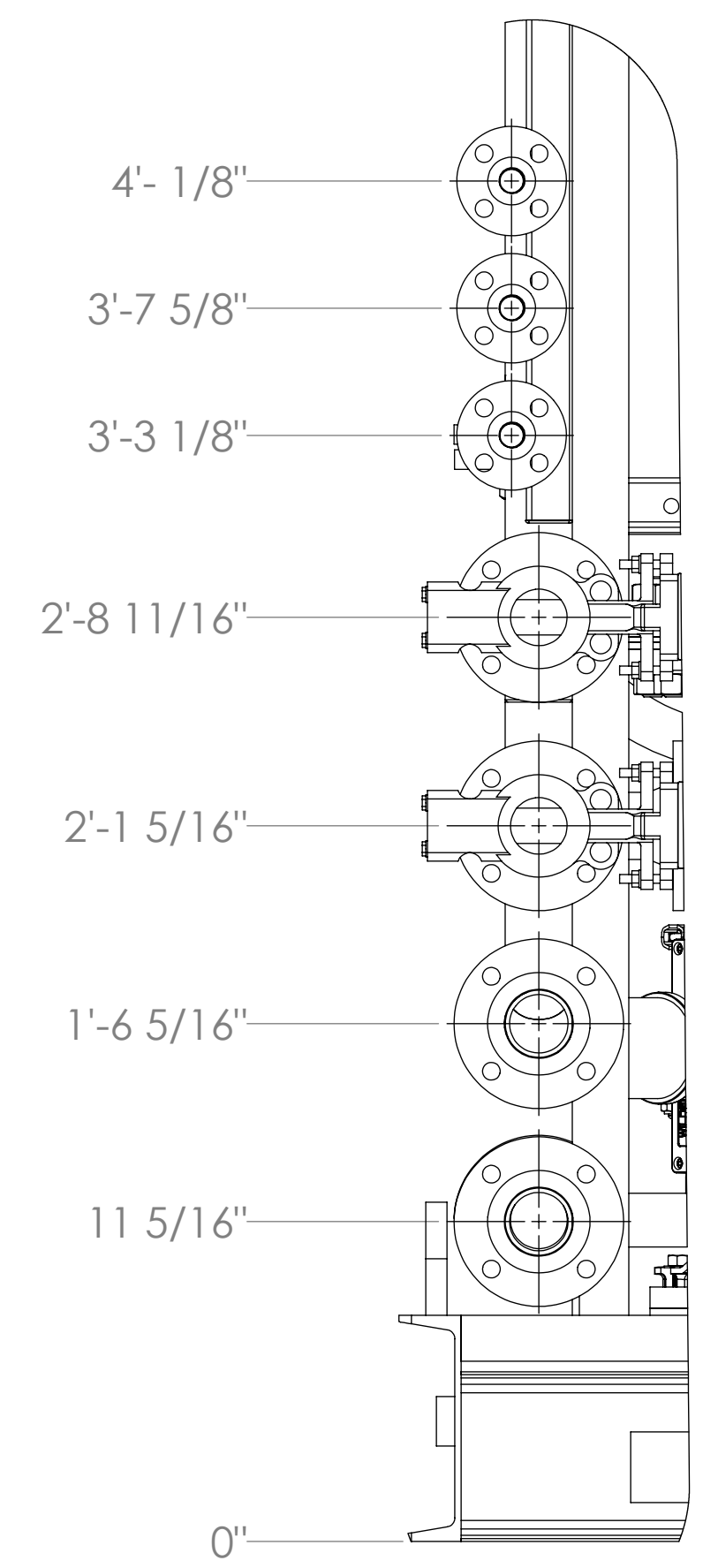


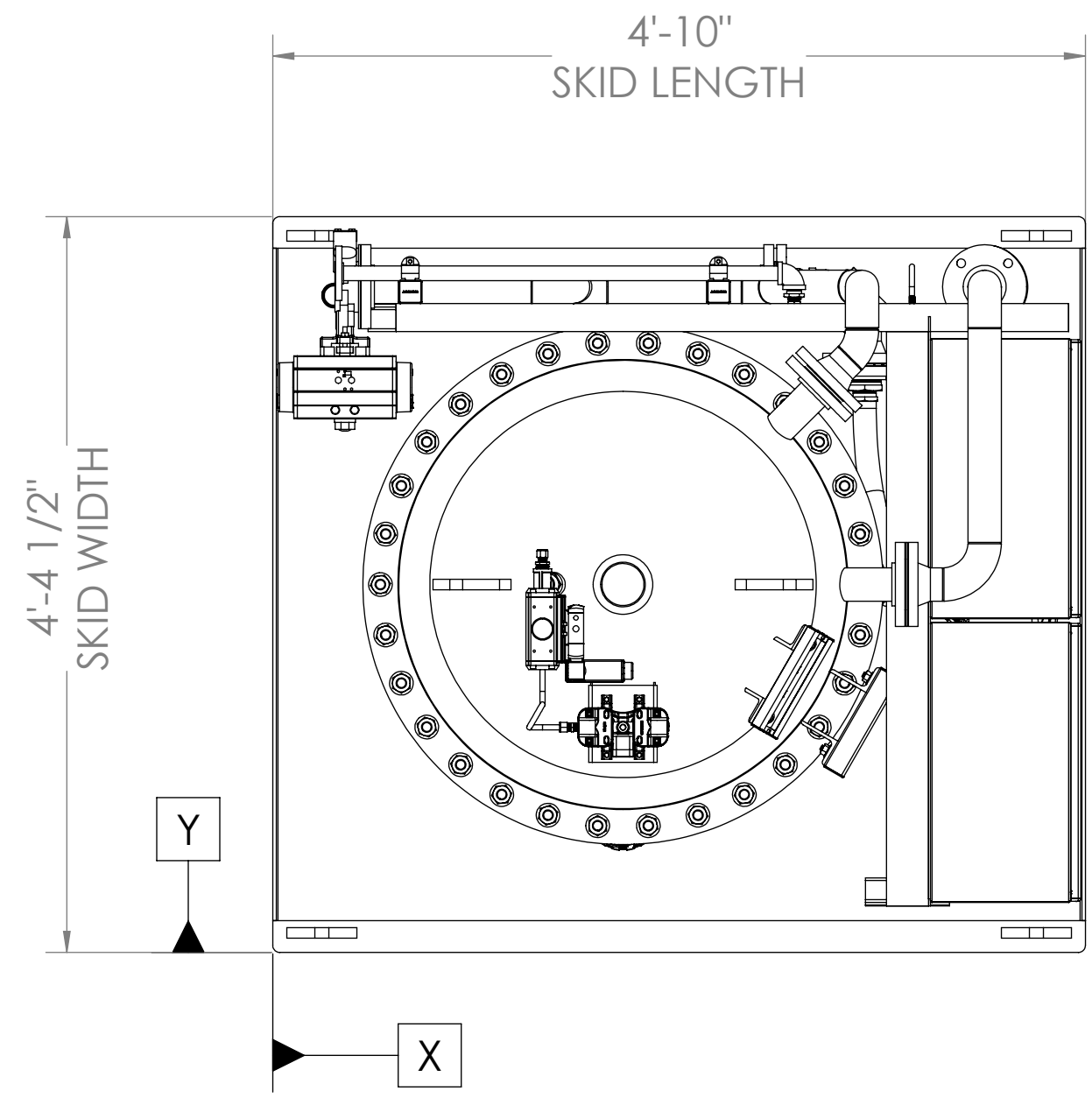
ITEM NO.	PART NO.	NAME	DESCRIPTION	MATERIAL	WEIGHT	QTY.
1	A51680	SOLID BOSS	32SB	VARIOUS	2746	1

GENERAL ARRANGEMENT

D

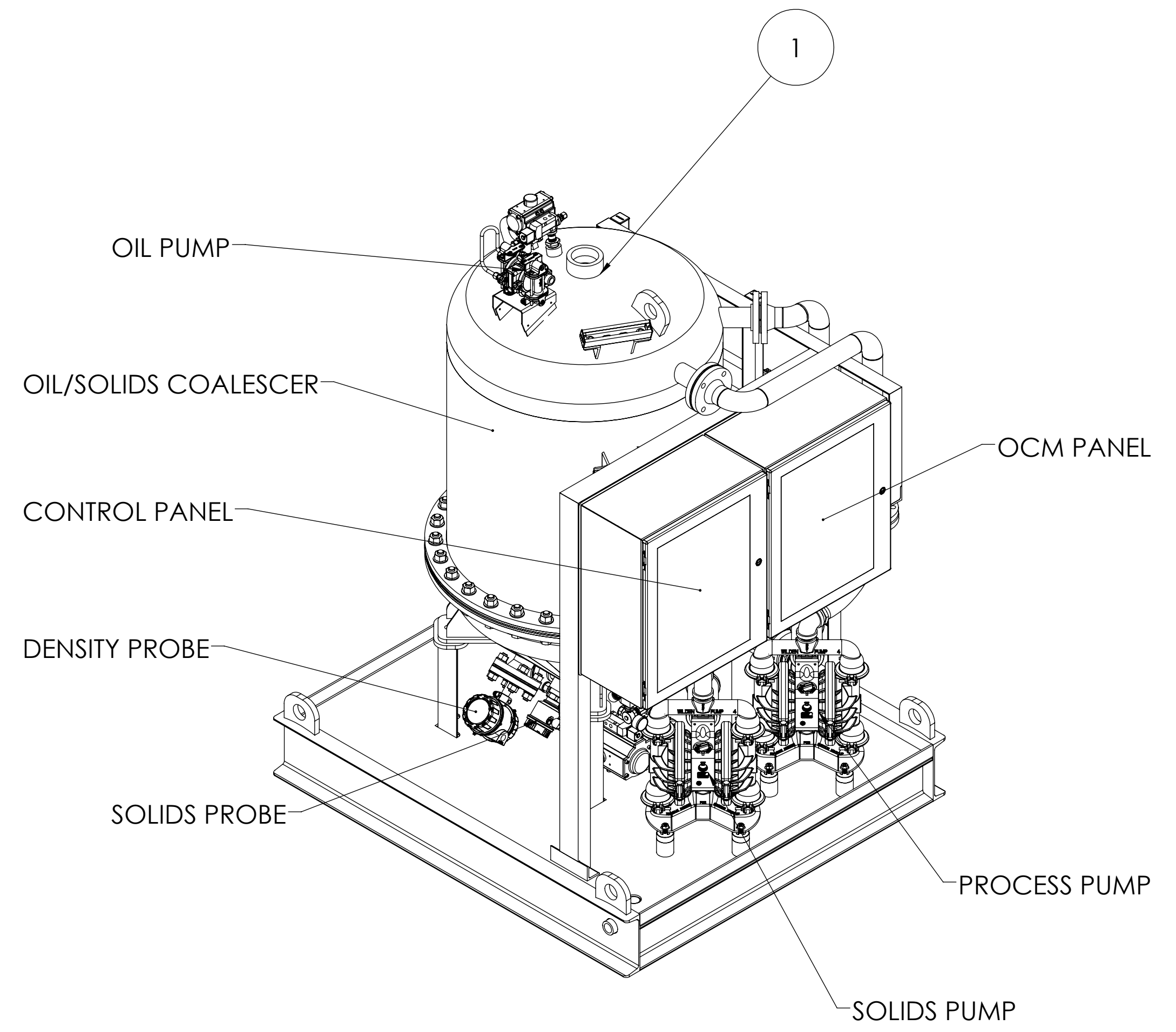


DETAIL A

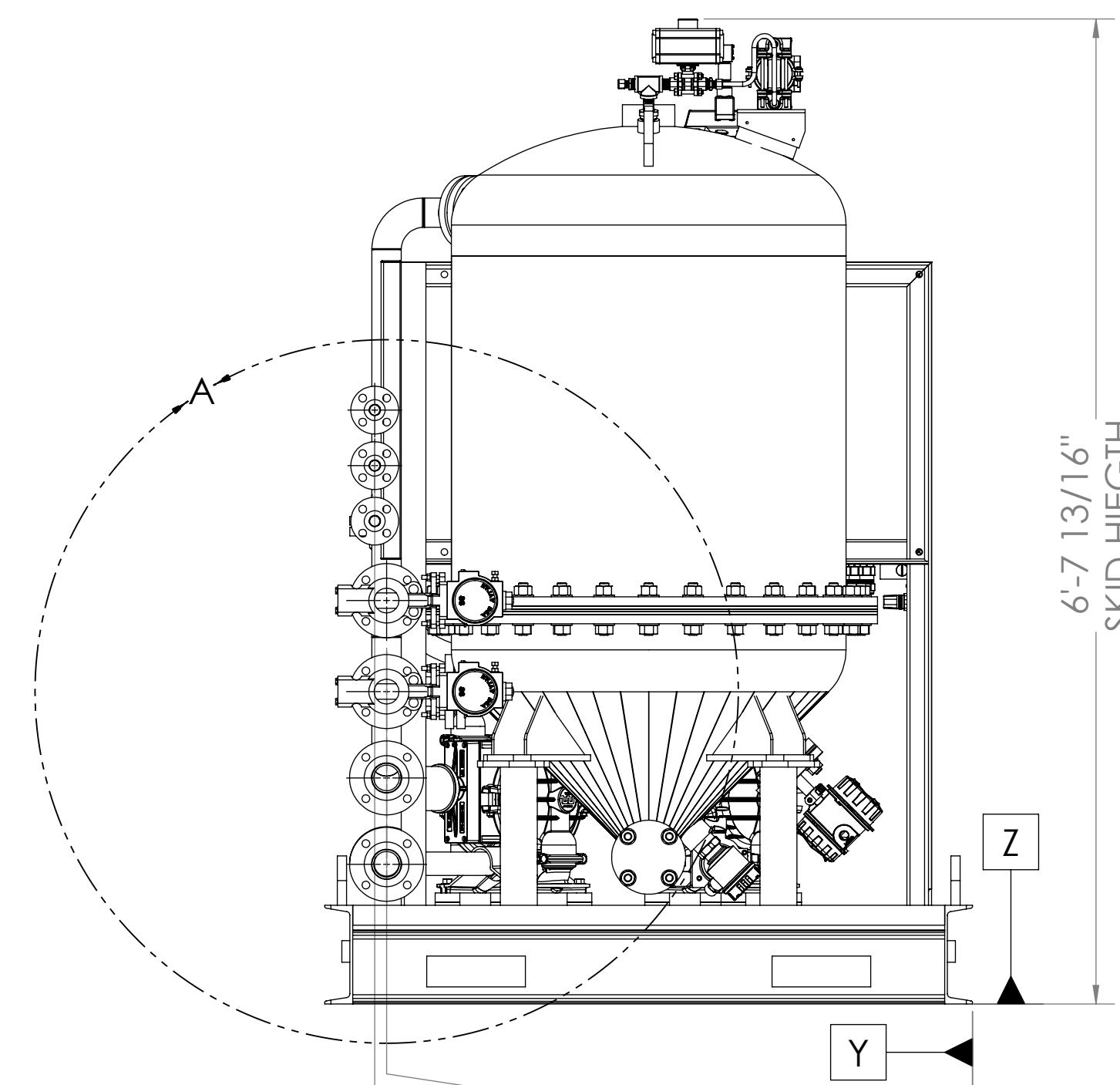


TIE POINT	SERVICE	DISCRIPTION
T1	SYSTEM INLET	2" 150# RF FLANGE
T2	SOLIDS OUTLET	2" 150# RF FLANGE
T3	NOMINAL OUTLET	2" 150# RF FLANGE
T4	HIGH FLOW OUTLET	2" 150# RF FLANGE
T5	COMPRESSED AIR INLET	3/4" 150# RF FLANGE
T6	WATER INLET	3/4" 150# RF FLANGE
T7	OIL OUTLET	3/4" 150# RF FLANGE

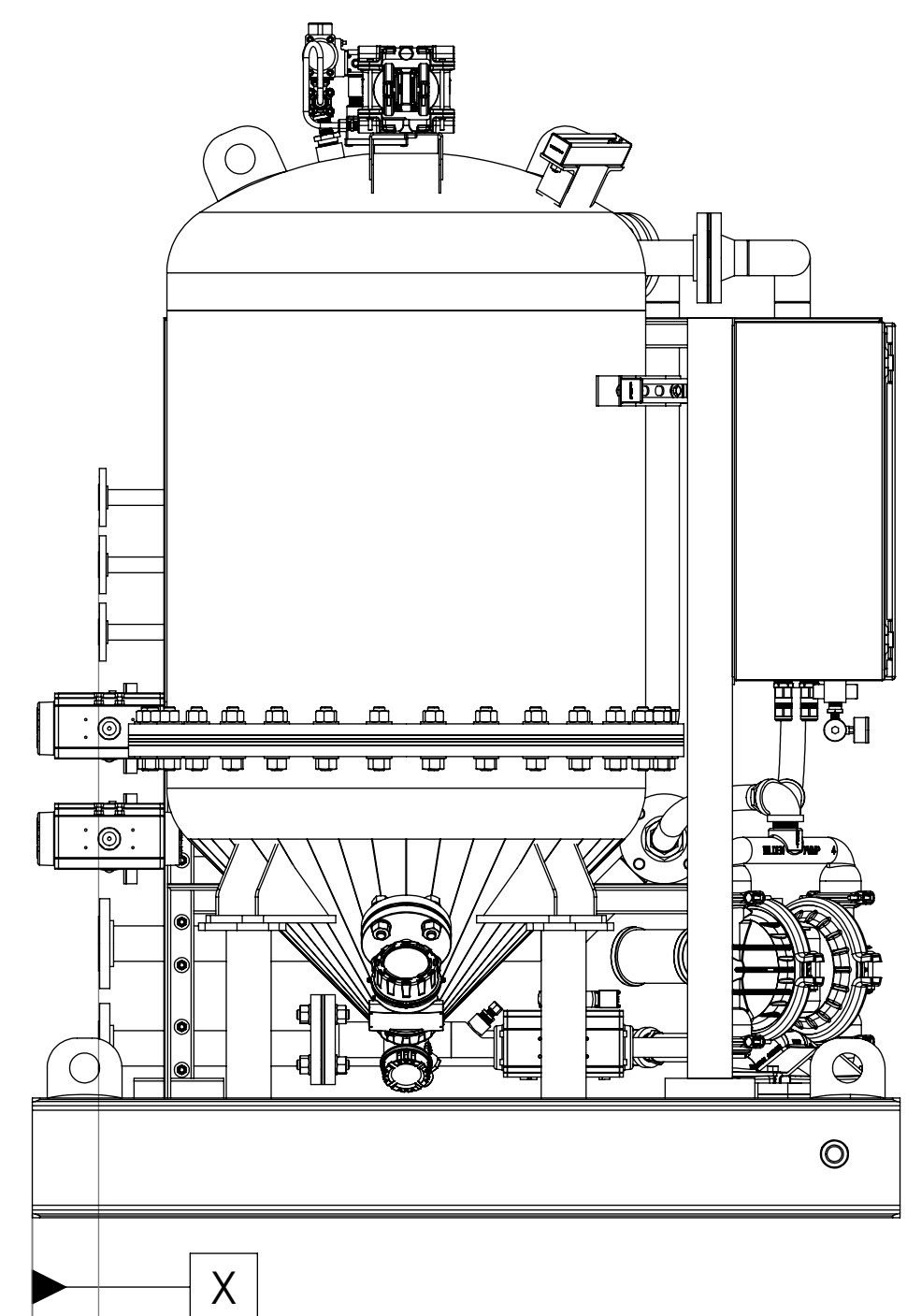
C



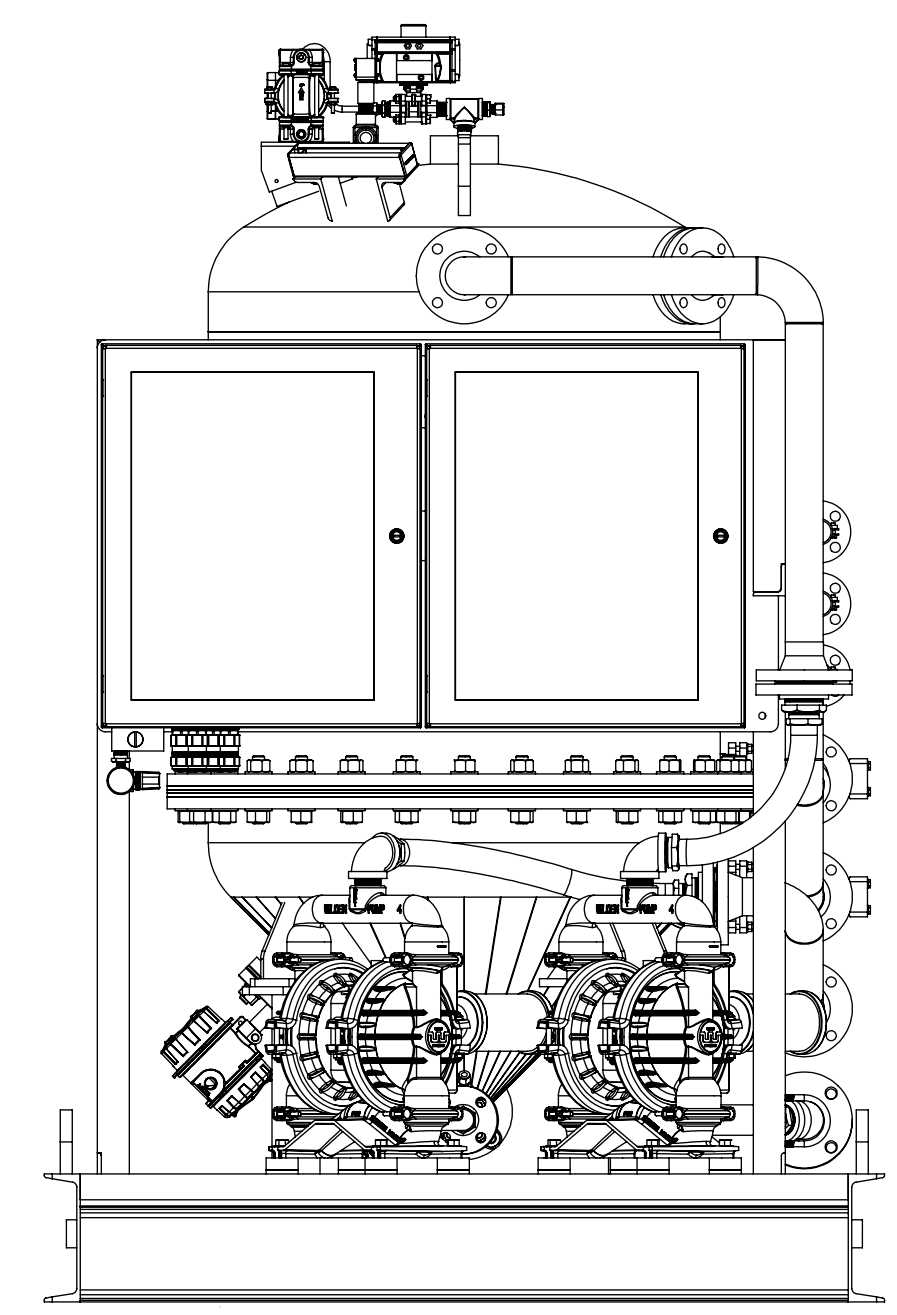
B



A



X



ZONE	REV.	BY	P.M.	QA	PRO	ENG	OTHER	DATE	REVISION	
UNLESS OTHERWISE SPECIFIED									APPROVALS	
DIMENSIONS ARE IN INCHES									P.M. -	
TOLERANCES									Q.A. -	
	DECIMALS	FRACTIONS								PROD. -
0-6"	±.1	±.05 ±.010	±1/8"	±3/16"						ENG. -
>6"-24"	±.1	±.05 ±.010	±3/16"	±1/4"						OTHER -
>24"-60"	±.1	±.05 ±.016	±1/4"	±3/8"						
>60"	±.1	±.05 ±.031	±3/8"	±1/2"						
ANGLES: ± 2.5°									7/27/2015	
THIRD ANGLE PROJECTION									CHECKED BY: -	
									Recovered Energy Inc. 11455 N. Rio Vista Rd, Pocatello, Idaho 83202 Phone No. (208) 637-0645 Fax. No. (708) 668-7939 PROJECT SOLID BOSS 32SB FABRICATION DRAWING	
<small>PROPRIETARY AND CONFIDENTIAL THE INFORMATION CONTAINED IN THIS DRAWING IS THE SOLE PROPERTY OF RECOVERED ENERGY, INC. ANY REPRODUCTION IN PART OR AS A WHOLE WITHOUT THE WRITTEN PERMISSION OF RECOVERED ENERGY, INC. IS PROHIBITED.</small>									P.O. #: - SIZE: UNITS: D IM SHEET SCALE: 1:12	
DRAWN BY: -									DRAWING NUMBER: A51770	
CHECKED BY: -									REV: A-01	
DATE: -									SHEET 1 OF 1	