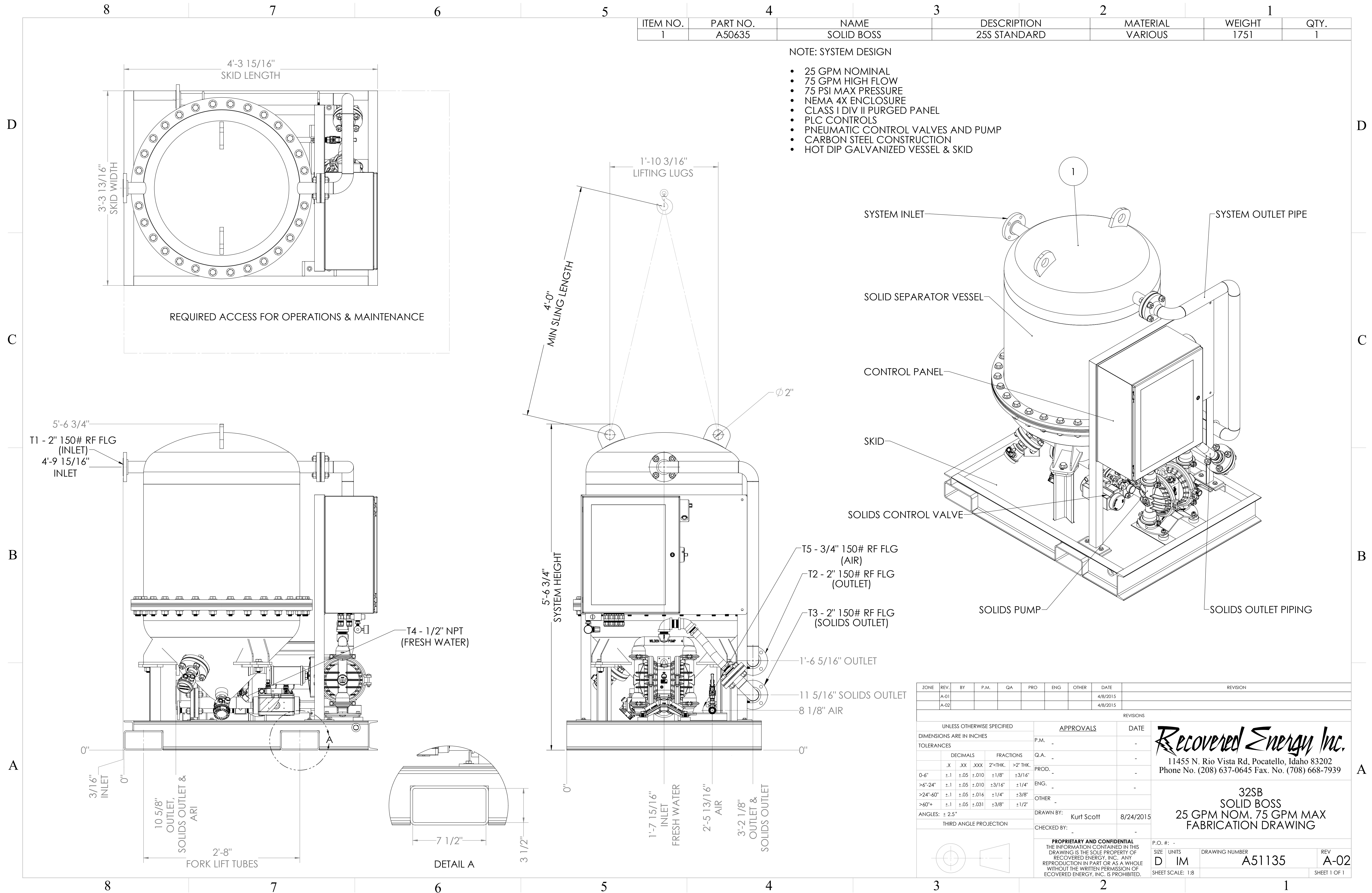


ITEM NO.	PART NO.	NAME	DESCRIPTION	MATERIAL	WEIGHT	QTY.
1	A50635	SOLID BOSS	25S STANDARD	VARIOUS	1751	1

NOTE: SYSTEM DESIGN

- 25 GPM NOMINAL
- 75 GPM HIGH FLOW
- 75 PSI MAX PRESSURE
- NEMA 4X ENCLOSURE
- CLASS I DIV II PURGED PANEL
- PLC CONTROLS
- PNEUMATIC CONTROL VALVES AND PUMP
- CARBON STEEL CONSTRUCTION
- HOT DIP GALVANIZED VESSEL & SKID



ZONE	REV.	BY	P.M.	GA	PRO	ENG	OTHER	DATE	REVISION
A-01								4/8/2015	
A-02								4/8/2015	

UNLESS OTHERWISE SPECIFIED		APPROVALS		DATE
DIMENSIONS ARE IN INCHES		P.M.		-
TOLERANCES		Q.A.		-
	DECIMALS	PROD.		-
.X	.XX .XXX	ENG.		-
0-6"	±.1 ±.05 ±.010	OTHER		-
>6"-24"	±.1 ±.05 ±.010			
>24"-60"	±.1 ±.05 ±.016			
>60"	±.1 ±.05 ±.031			
ANGLES: ± 2.5°		DRAWN BY: Kurt Scott		8/24/2015
THIRD ANGLE PROJECTION		CHECKED BY:		

Recovered Energy Inc.		11455 N. Rio Vista Rd, Pocatello, Idaho 83202		Phone No. (208) 637-0643 Fax. No. (708) 668-7939	
32SB		SOLID BOSS		25 GPM NOM. 75 GPM MAX	
FABRICATION DRAWING		P.O. #: -		REV A-02	
D IM		DRAWING NUMBER A51135		SHEET SCALE: 1:8	
SHEET 1 OF 1					