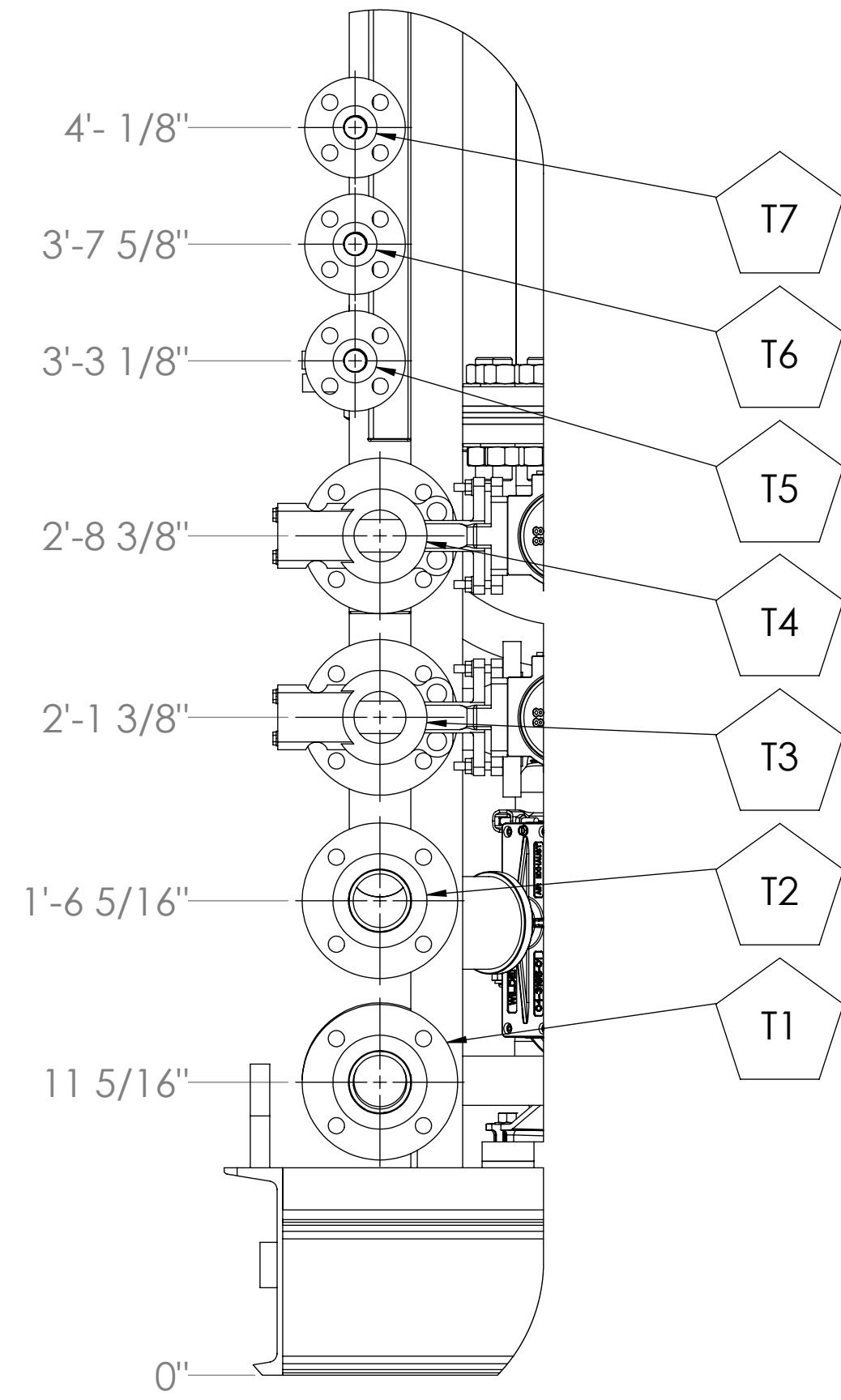


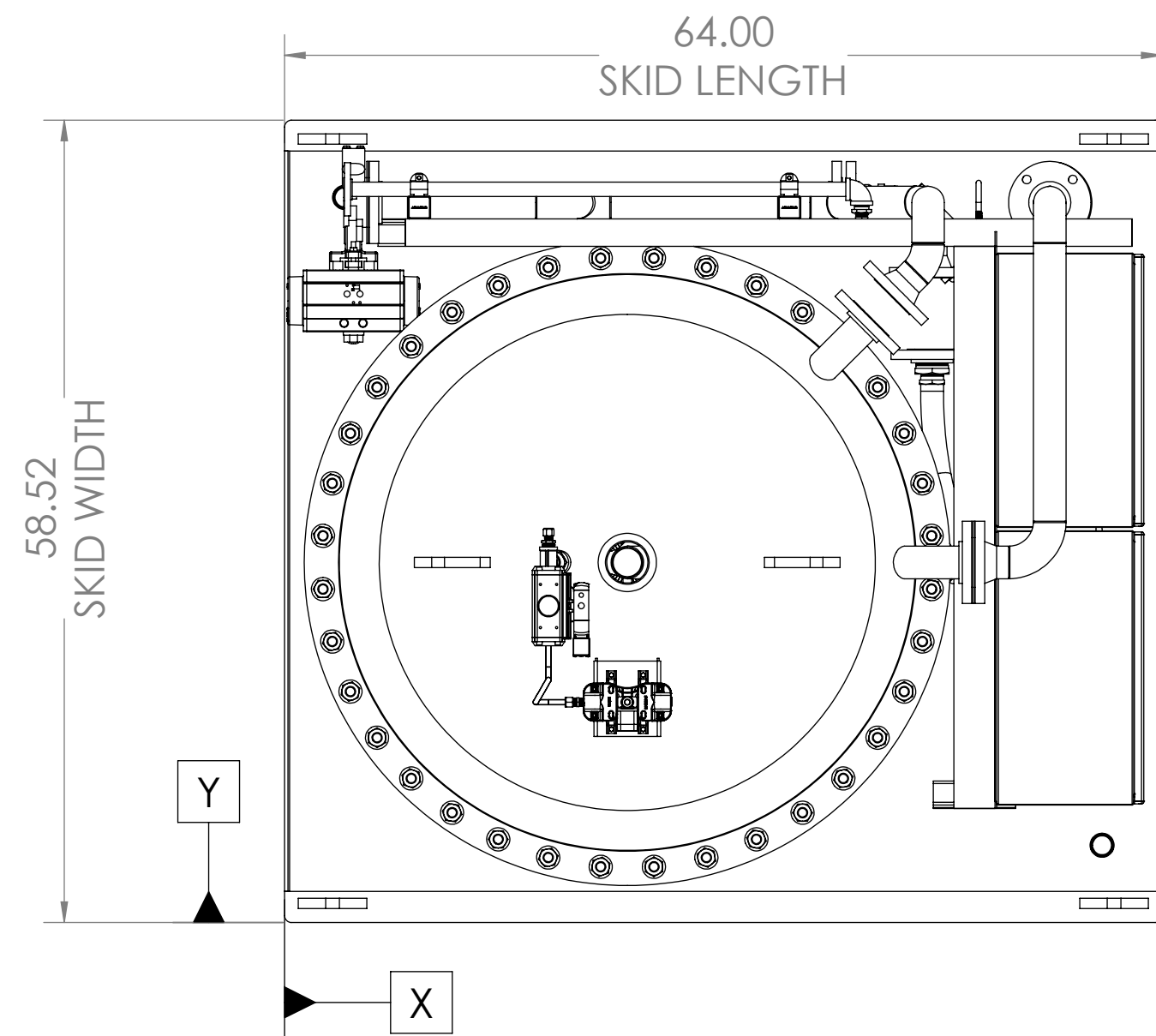
GENERAL ARRANGEMENT

ITEM NO.	PART NO.	NAME	DESCRIPTION	MATERIAL	WEIGHT	QTY.
1	A51710	SOLID BOSS	42SB	VARIOUSC2	2942	1

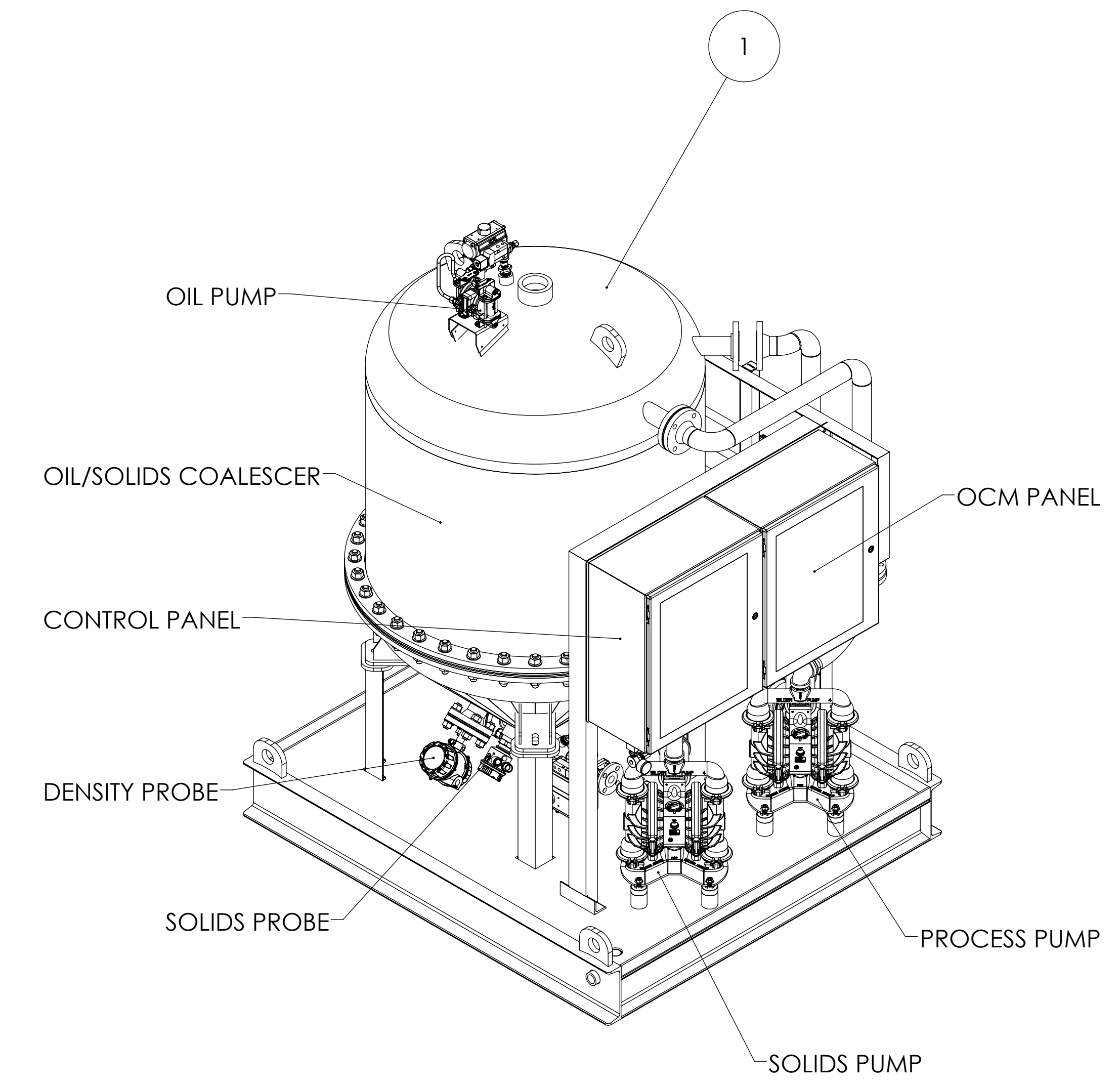
D



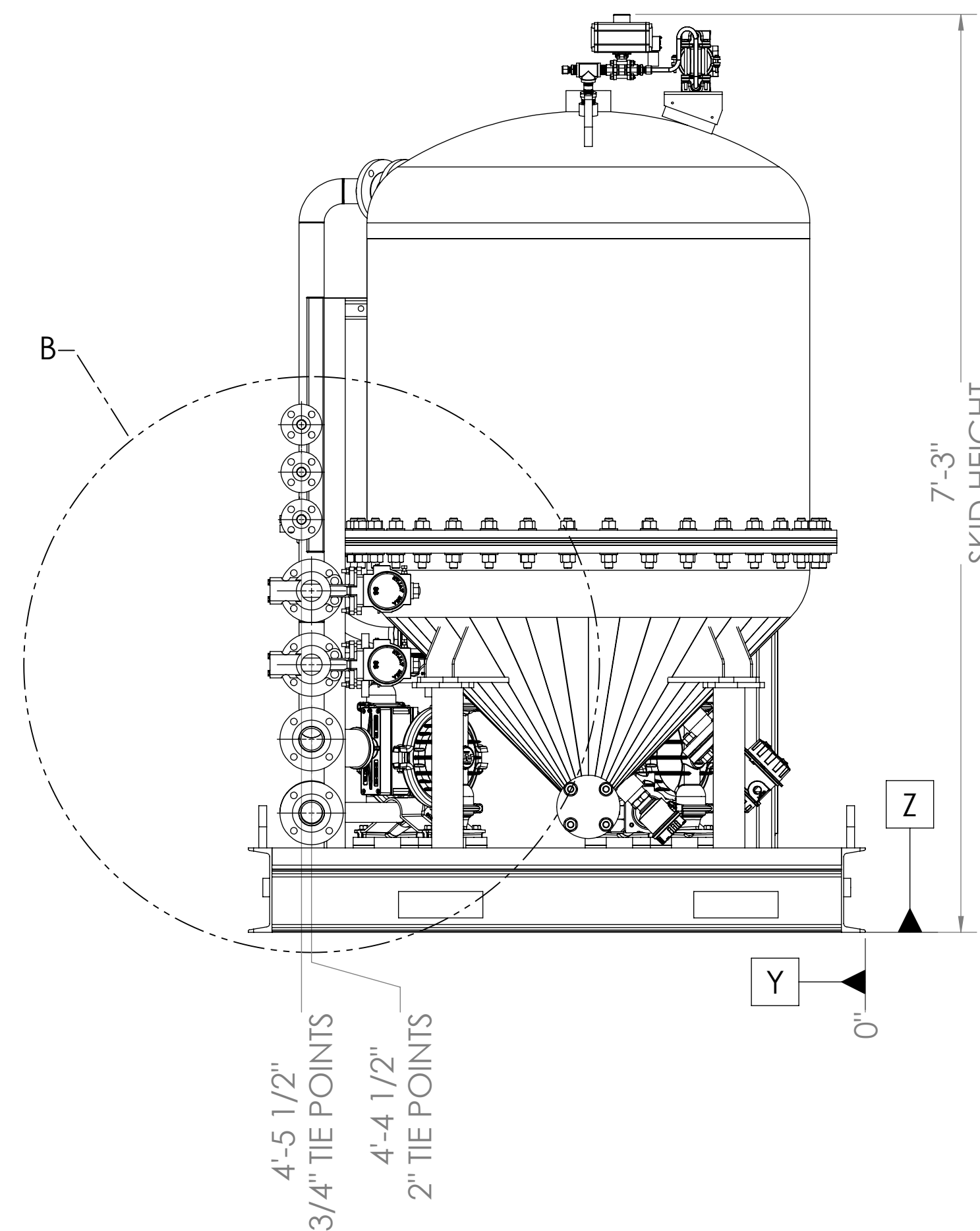
DETAIL B



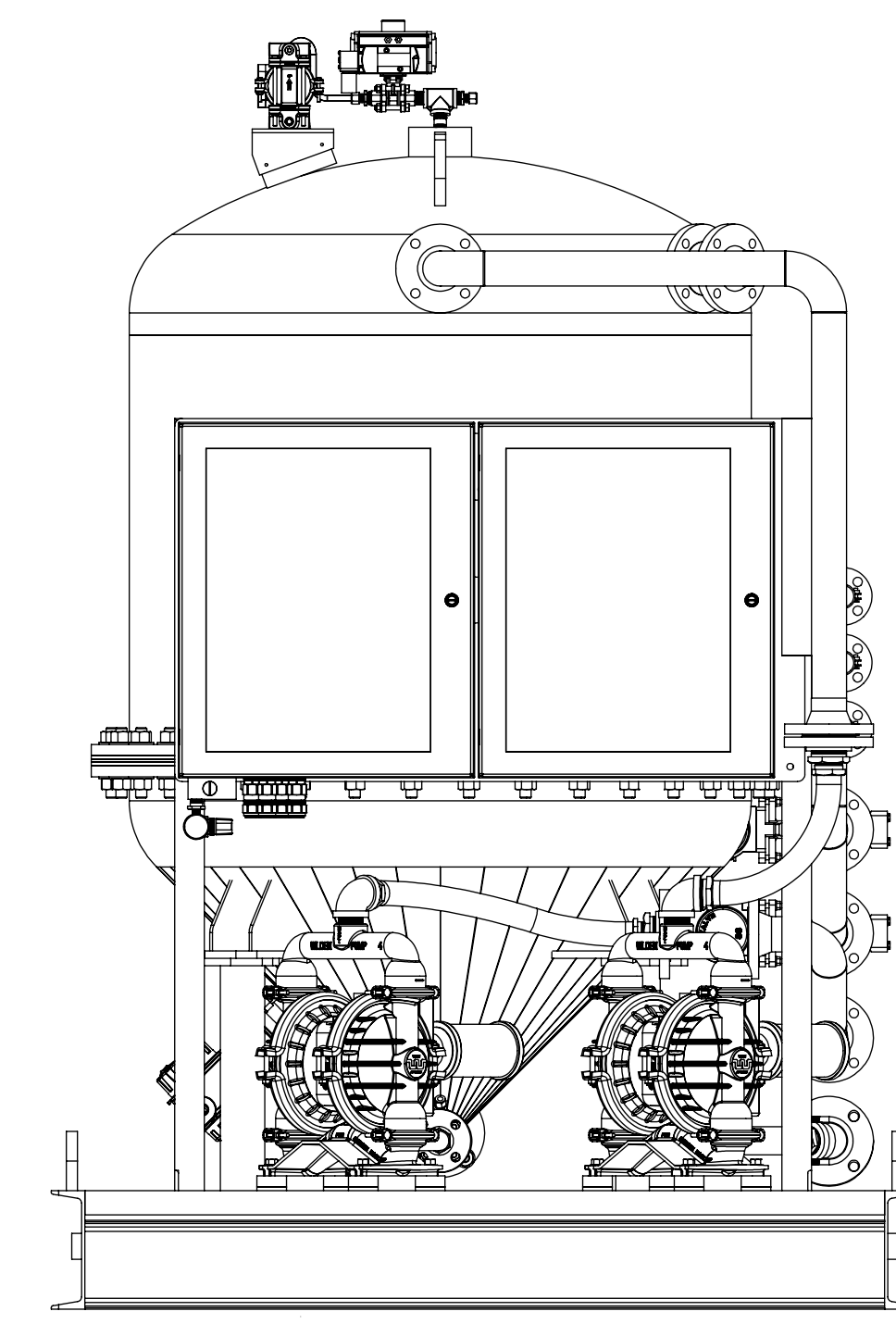
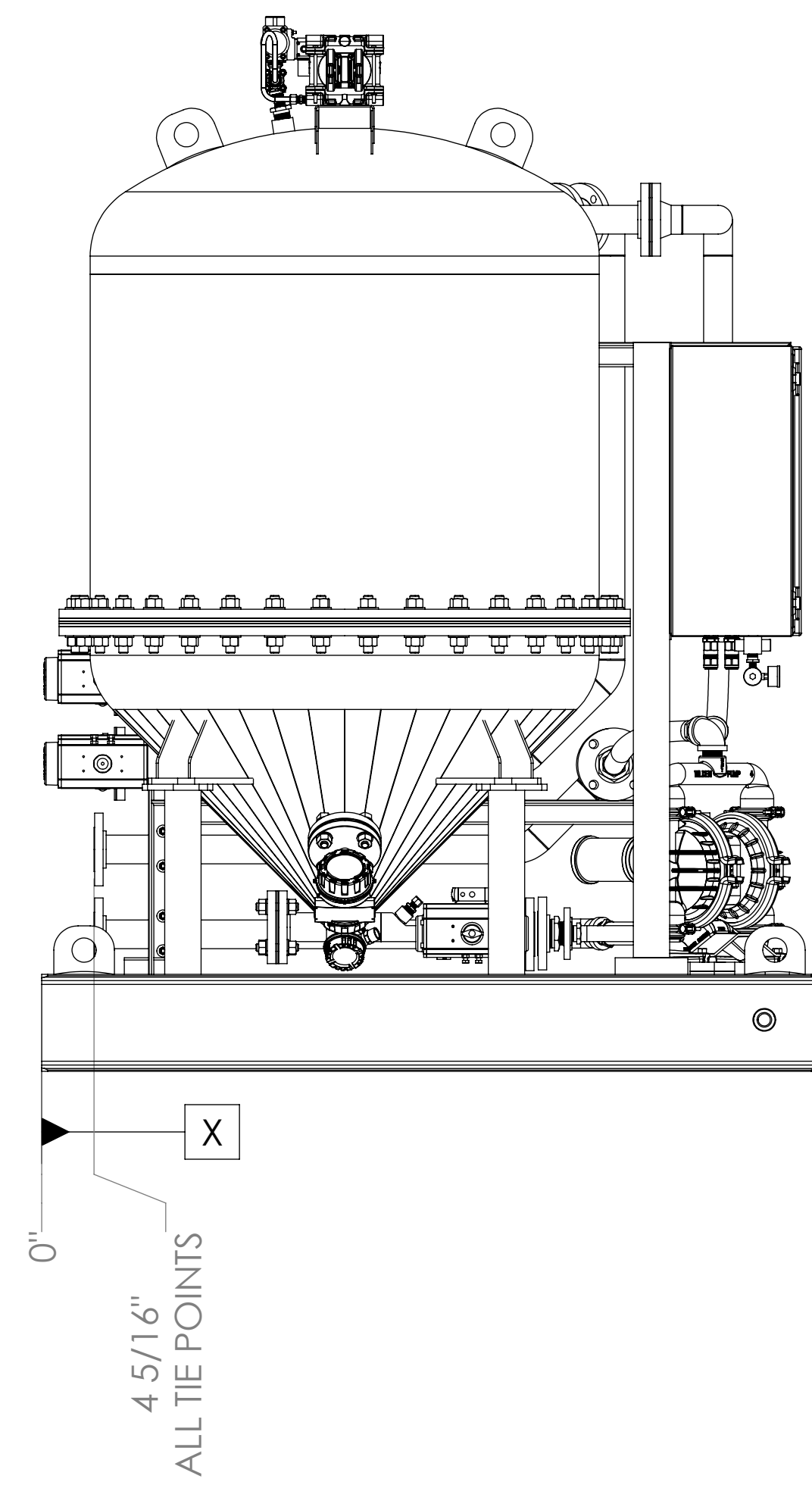
TIE POINT TABLE		
TIE POINT	SERVICE	DISCRIPTION
T1	SYSTEM INLET	2" 150# RF FLANGE
T2	SOLIDS OUTLET	2" 150# RF FLANGE
T3	NOMINAL OUTLET	2" 150# RF FLANGE
T4	HIGH FLOW OUTLET	2" 150# RF FLANGE
T5	COMPRESSED AIR INLET	3/4" 150# RF FLANGE
T6	WATER INLET	3/4" 150# RF FLANGE
T7	OIL OUTLET	3/4" 150# RF FLANGE



B



A



ZONE	REV.	BY	P.M.	QA	PRO	ENG	OTHER	DATE	REVISION
UNLESS OTHERWISE SPECIFIED									
DIMENSIONS ARE IN INCHES					APPROVALS				
TOLERANCES					DATE				
	DECIMALS	FRACTIONS	P.M.		Q.A.		-		
.X	.XX	.XXX	2"<THK.	>2" THK.	PROD.		-		
0-6"	±.1	±.05 ±.010	±1/8"	±3/16"	ENG.		-		
>6"-24"	±.1	±.05 ±.010	±3/16"	±1/4"	OTHER		-		
>24"-60"	±.1	±.05 ±.016	±1/4"	±3/8"	DRAWN BY:		7/24/2015		
>60"	±.1	±.05 ±.031	±3/8"	±1/2"	CHECKED BY:		-		
ANGLES: ± 2.5°					THIRD ANGLE PROJECTION				
<p>Recovered Energy Inc. 11455 N. Rio Vista Rd, Pocatello, Idaho 83202 Phone No. (208) 637-0645 Fax. No. (708) 668-7939</p> <p>PROJECT SOLID BOSS 42SB FABRICATION DRAWING</p>									
P.O. #:		DRAWING NUMBER		REV		SHEET SCALE: 1:12			
D		IM		A-01		SHEET 1 OF 1			