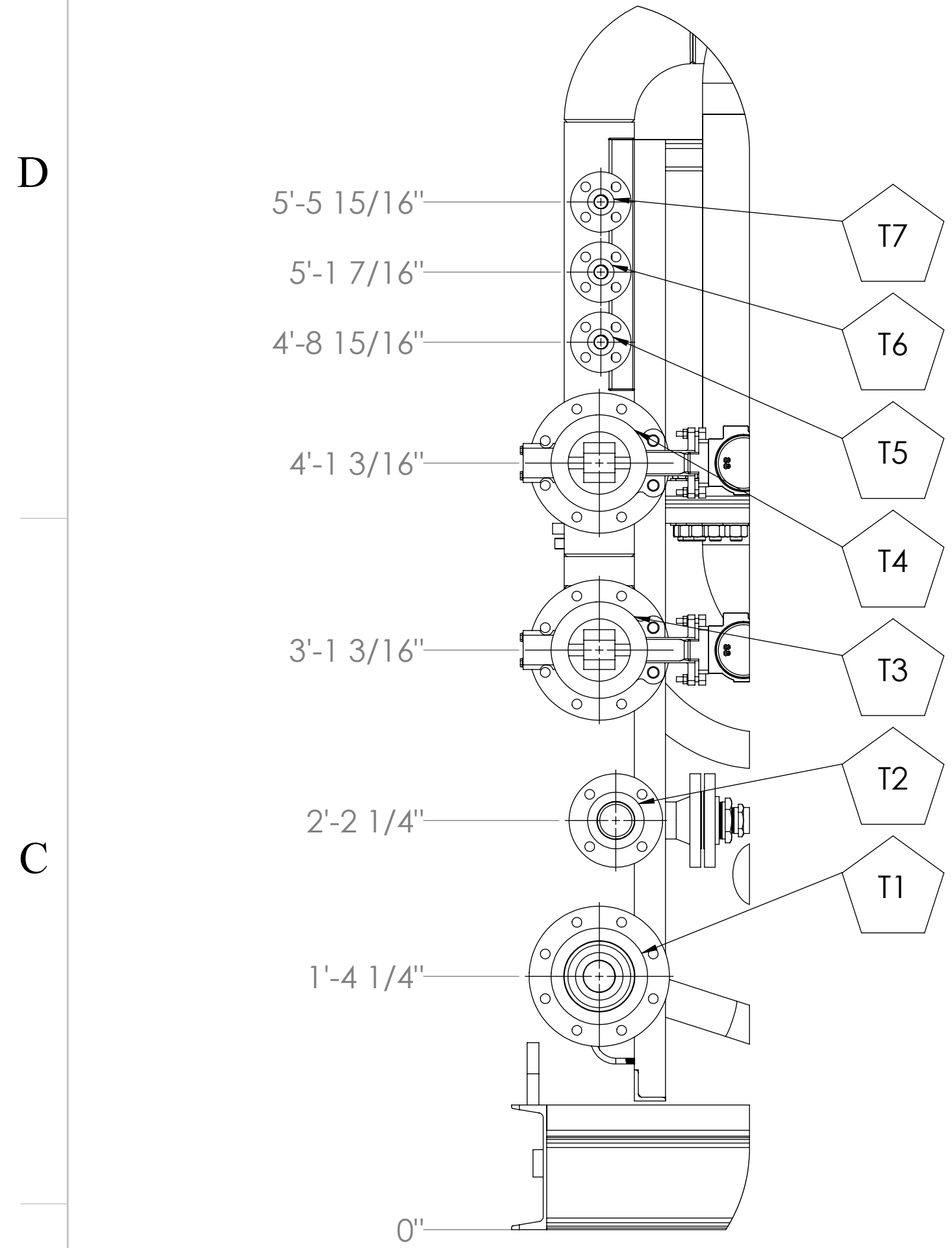
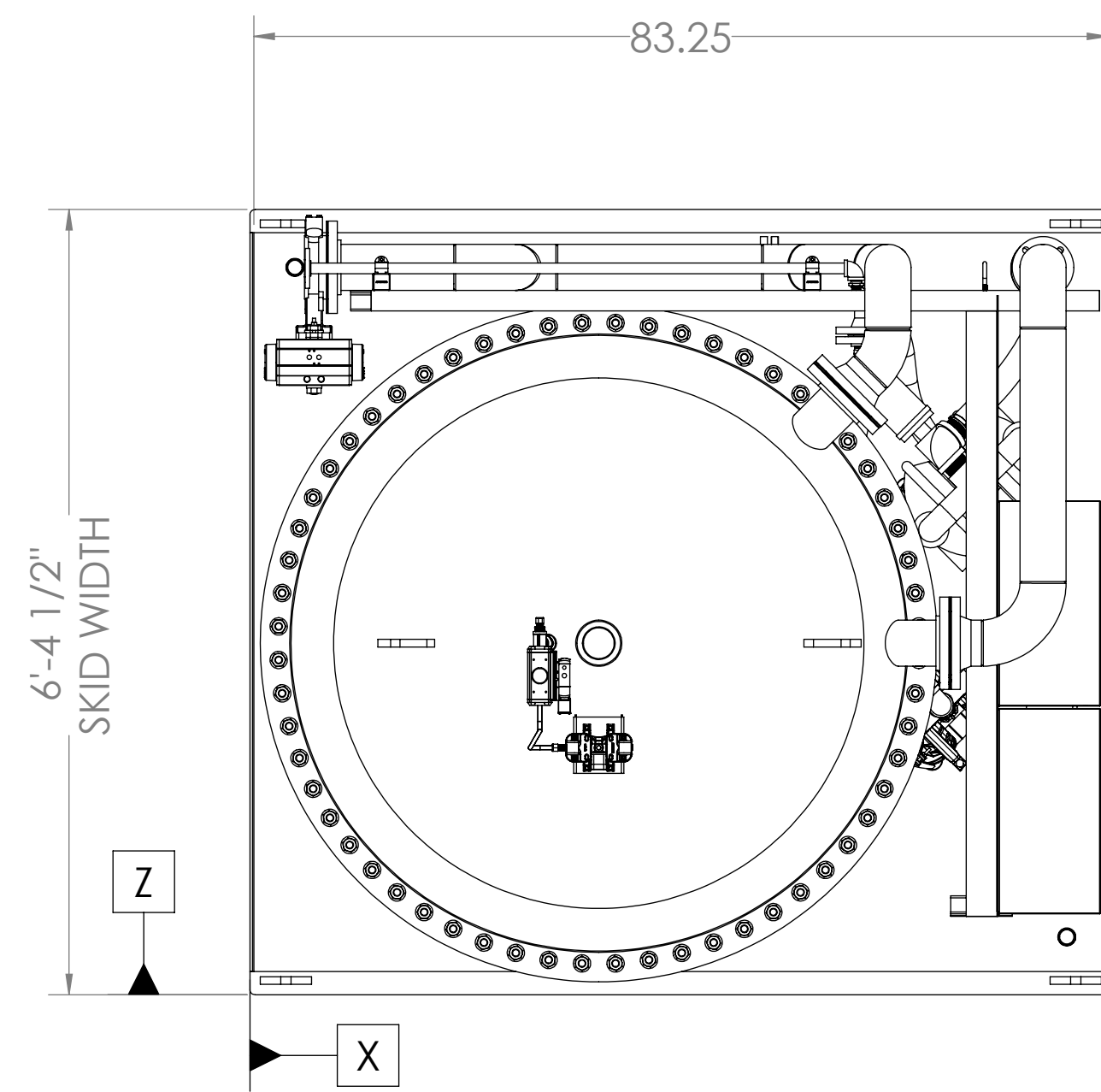


# GENERAL ARRANGEMENT

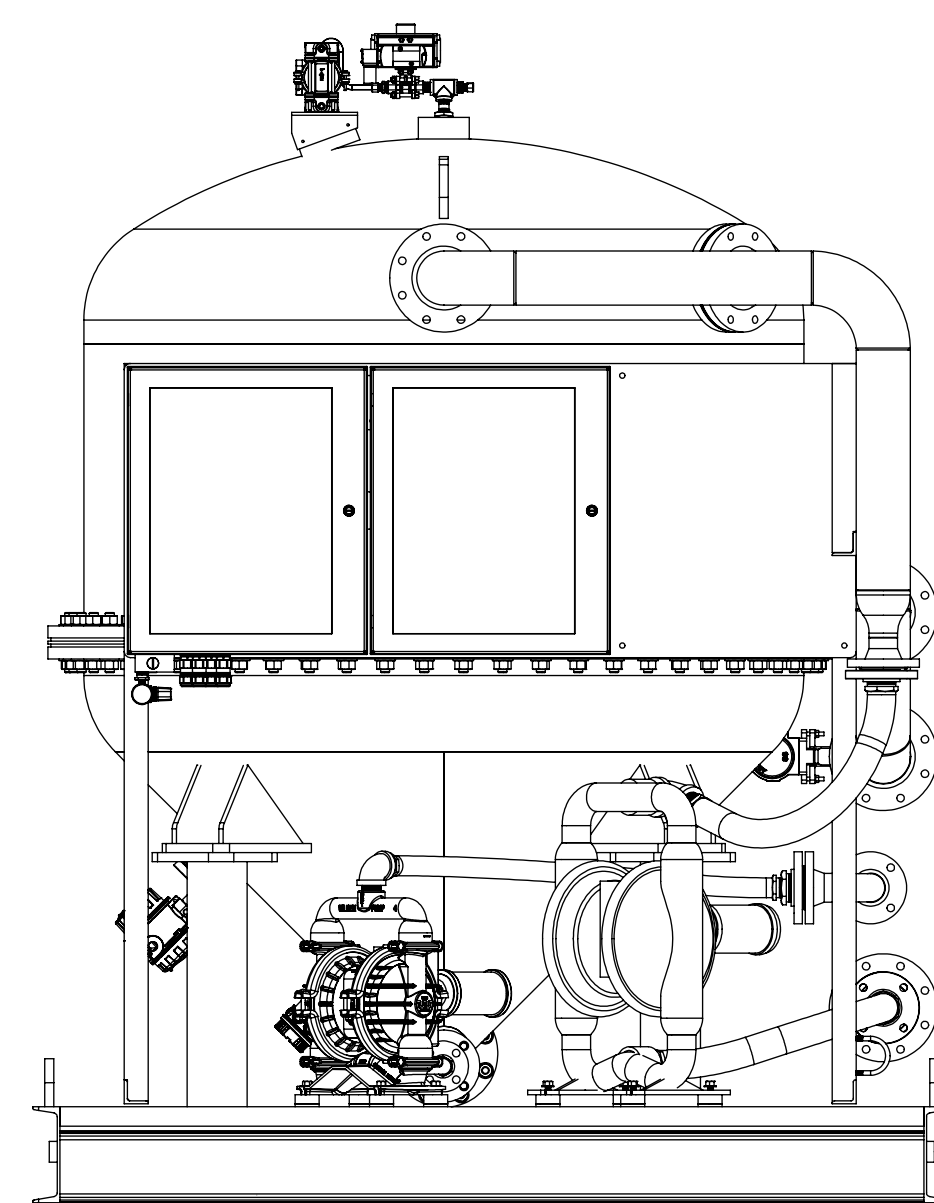
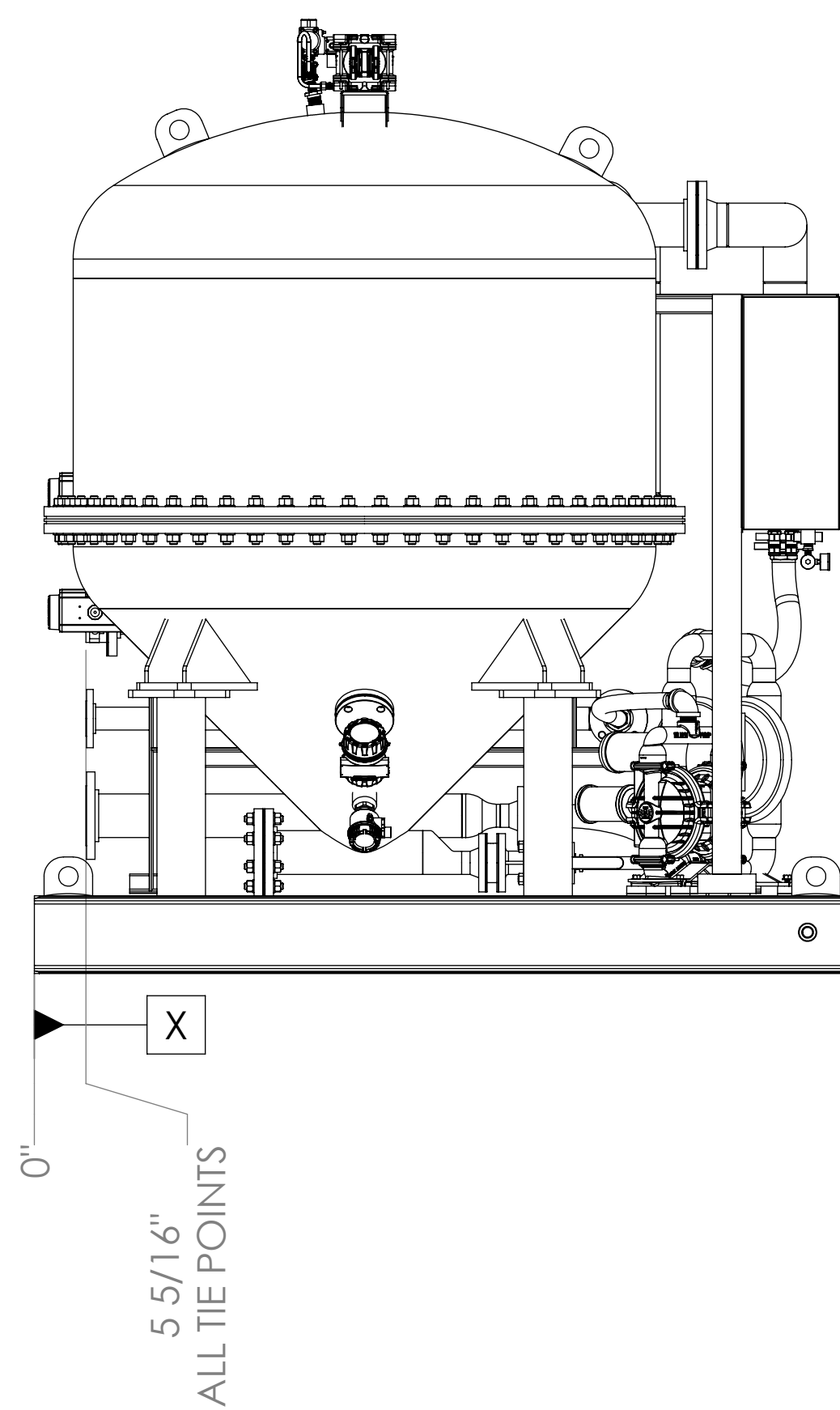
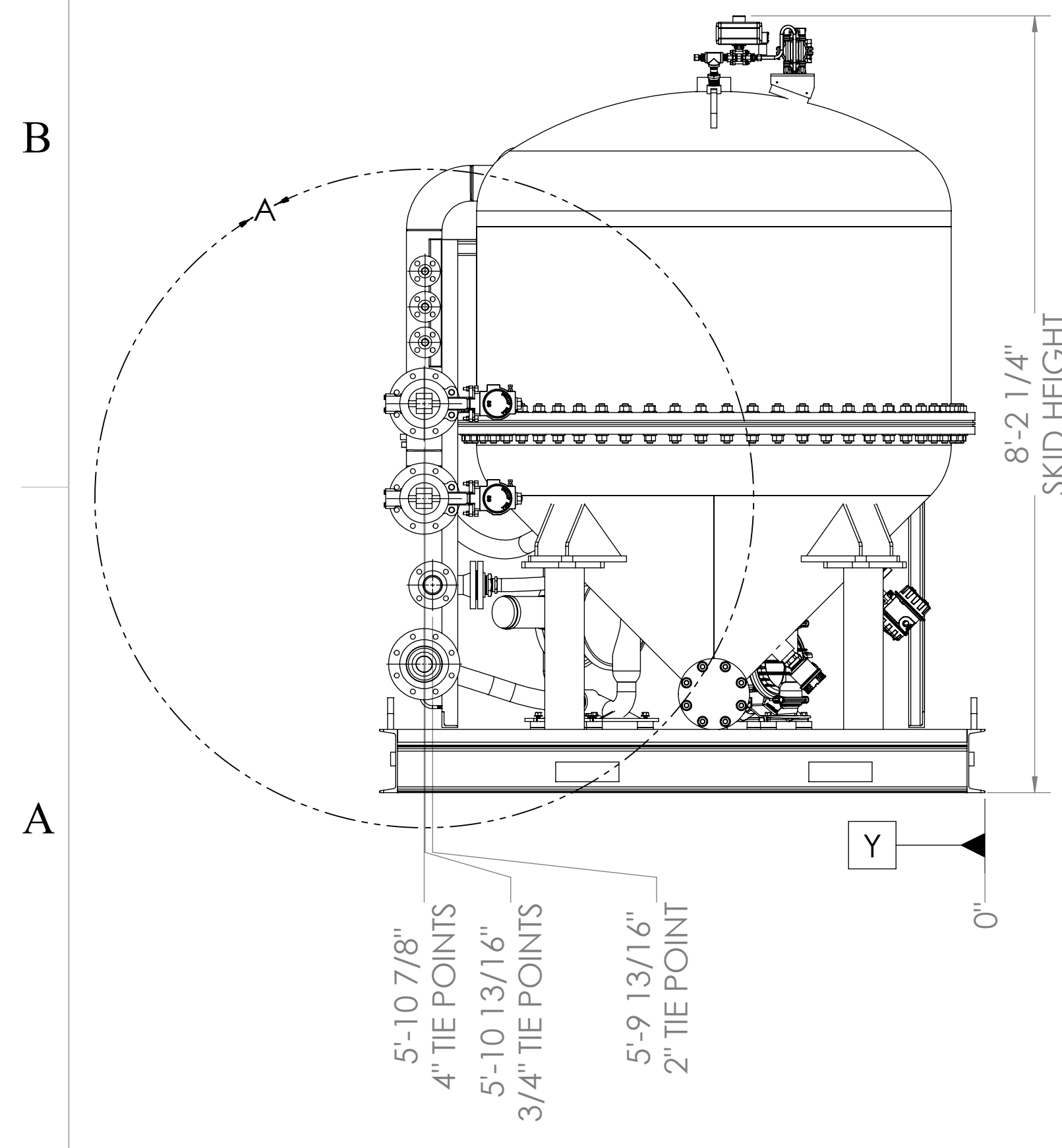
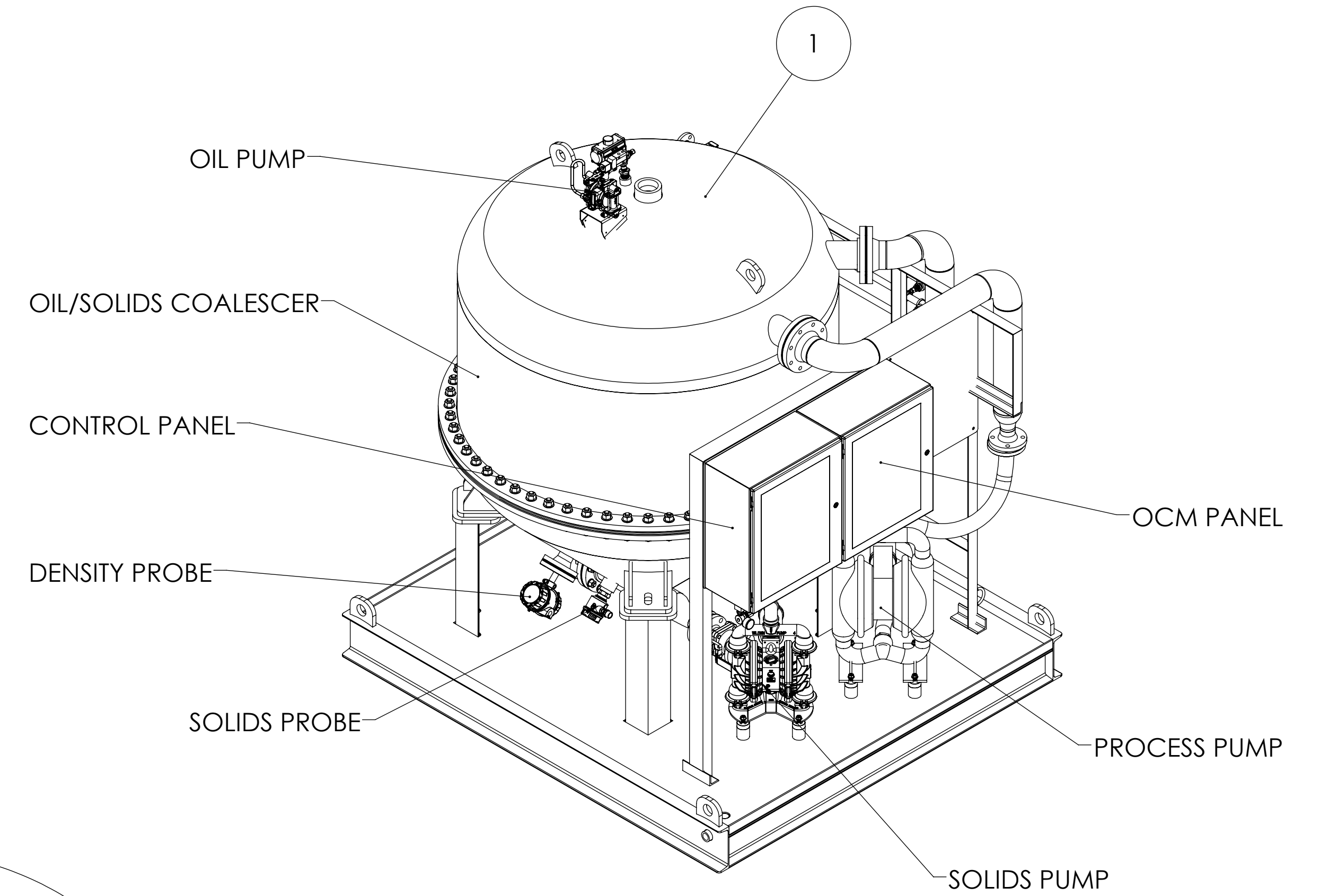
ITEM NO.	PART NO.	NAME	DESCRIPTION	MATERIAL	WEIGHT	QTY.
1	A51750	SOLID BOSS	60SB	VARIOUS	5616	1



DETAIL A



TIE POINT	SERVICE	DISCRIPTION
T1	SYSTEM INLET	4" 150# RF FLANGE
T2	SOLIDS OUTLET	2" 150# RF FLANGE
T3	NOMINAL OUTLET	4" 150# RF FLANGE
T4	HIGH FLOW OUTLET	4" 150# RF FLANGE
T5	COMPRESSED AIR INLET	3/4" 150# RF FLANGE
T6	WATER INLET	3/4" 150# RF FLANGE
T7	OIL OUTLET	3/4" 150# RF FLANGE



ZONE	REV.	BY	P.M.	QA	PRO	ENG	OTHER	DATE	REVISION
UNLESS OTHERWISE SPECIFIED									APPROVALS
DIMENSIONS ARE IN INCHES									P.M. -
TOLERANCES									Q.A. -
									PROD. -
									ENG. -
									OTHER -
ANGLES: ± 2.5°									DRAWN BY: 7/27/2015
THIRD ANGLE PROJECTION									CHECKED BY: -
									<b>Recovered Energy Inc.</b> 11455 N. Rio Vista Rd. Pocatello, Idaho 83202 Phone No. (208) 637-0643 Fax. No. (708) 668-7939
PROJECT SOLID BOSS 60SB FABRICATION DRAWING									P.O. #: - SIZE UNITS: D IM SHEET SCALE: 1:12
PROPRIETARY AND CONFIDENTIAL THE INFORMATION CONTAINED IN THIS DRAWING IS THE SOLE PROPERTY OF RECOVERED ENERGY, INC. ANY REPRODUCTION IN PART OR AS A WHOLE WITHOUT THE WRITTEN PERMISSION OF RECOVERED ENERGY, INC. IS PROHIBITED.									DRAWING NUMBER: A51765 REV: A-01 SHEET 1 OF 1